

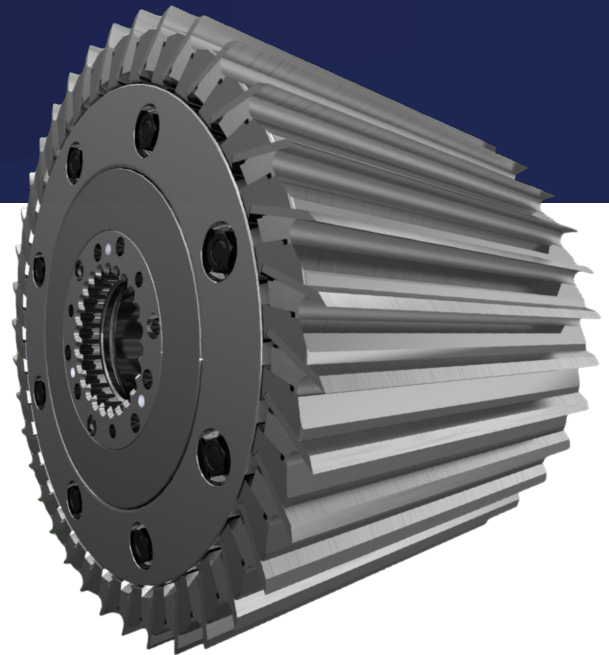


DK SPEC

NG² PLANER HEAD

HIGH PERFORMANCE

- More knives per head
- Feed speed demonstrated up to 4000 feet/minute
- Set up reduced by 50 %



SAFETY AND VERSATILITY

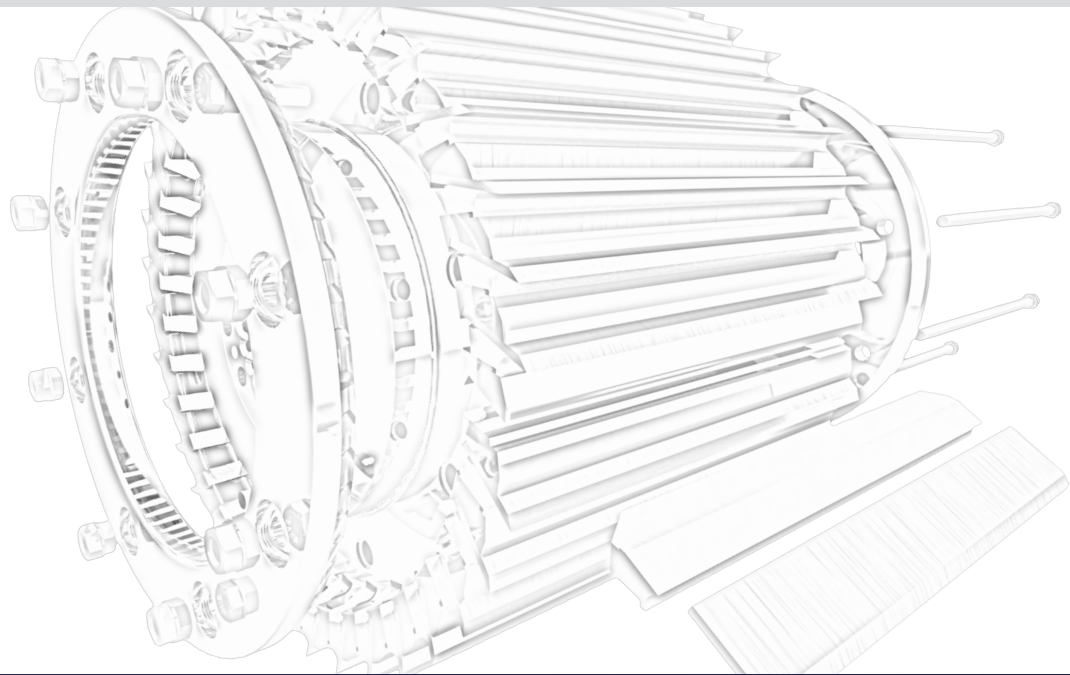
- 100 % mechanically locked
- Designed for flat and corrugated knives
- Designed for high speed planers on the market



Brevet US 10046474B2
Brevet CA 2858642

1060, chemin Olivier
Levis (Quebec) G7A 2M7

1.888.686.3847
www.dkspec.com



DK SPEC

INNOVATIVE TECHNOLOGY AND DESIGN

www.dkspec.com